



INSTRUCTIONS

This manual is specifically for the REV A version of ShadeFin, which features mushroom pull pin release buttons (Figure B, page 11). If your ShadeFin features push buttons instead of pull pins, please refer to the manual titled: SHADEFIN MANUAL REV B - PUSH BUTTON on tacomarine.com.



AVAILABLE MOUNTING OPTIONS



WARNING:

This product can expose you to chemicals including Di (2-ethylhexyl) Phthalate (DEHP), which is known to the state of California to cause cancer, birth defects or other reproductive harm. For more information, go to www.P65Warnings.ca.gov.

- Fixed Rod Holder Mount, **T10-3000-5**
- Adjustable Rod Holder Mount, **T10-3000-6**
- Gunnel Rod Holder Adapter, **T10-3000-12**
- Adjustable Clamp-On Mount, fits 3/4", 1" pipe & 1-1/4" tube, **T10-3000-7**
- Telescopic Rod Holder Accessory, **T10-3000-9**
- Hardtop Mount Bracket, **T10-3000-10**
- Fixed Clamp-On Mount, fits 3/4", 1" pipe & 1-1/4" tube, **T10-3000-11**
- Gunnel Rod Holder Adapter, 1-1/2" O.D. X 13.5" L, **T10-3000-12**
- Grand Slam 170 Outrigger Mount, **GS-170**
- Grand Slam 170-2 Center Rigger Mount, **GS-170-2**

SHADEFIN

Thank you for purchasing ShadeFin by TACO Marine. Since 1959, we have taken great pride in offering the highest-quality products with excellent customer service. We stand behind our products 100 percent. Please visit our website tacomarine.com for more detailed information on a wide variety of products and to register your new accessory for warranty.

TABLE OF CONTENTS

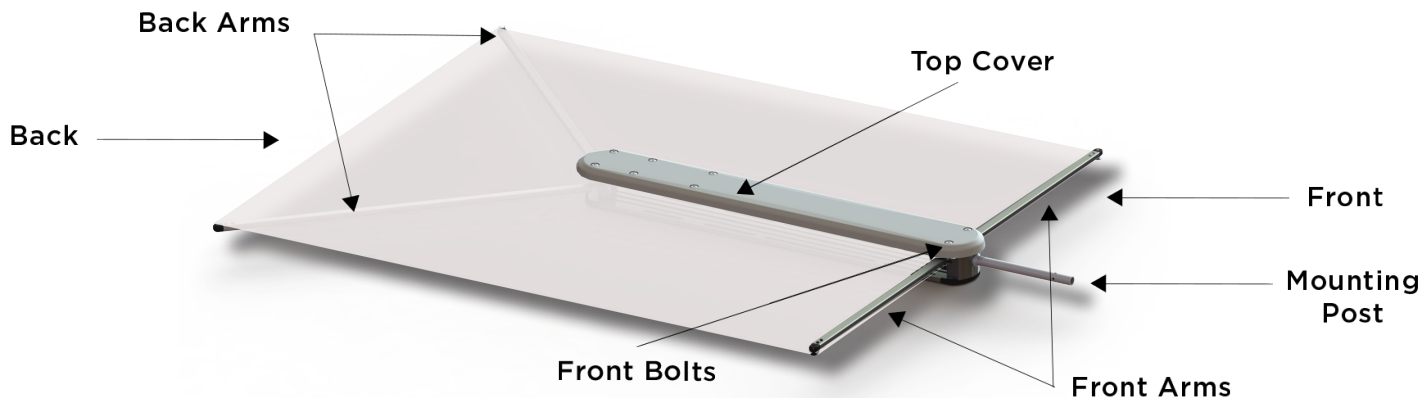
Installation Instructions

ShadeFin Diagram	2
Fixed Rod Holder Mount	3
Gunnel Rod Holder Adapter	4 - 5
Fixed Clamp-On Mount	6 - 8
Adjustable Clamp-On Mount	6 - 8
Adjustable Rod Holder Mount	9
Grand Slam 170 Outrigger Mount	10
Grand Slam 170-2 Center Rigger Mount	10

Operation, Maintenance, Cleaning & Stowage

Operation & Deployment	11
Replacing the Fabric	12
Cleaning & Fabric Care	13
Fabric Technical Information	13
Stowage	14
Warning	15
Social Media	16

SHADEFIN DIAGRAM



N

FIXED ROD HOLDER MOUNT INSTALLATION

T10-3000-5

The Fixed Rod Holder Mount fits into any standard rod holder or into a gunnel rod holder with an adapter (T10-3000-12, included in the kit), or into the Telescopic Rod Holder Accessory (T10-3000-9, sold separately, see below).

- 1) To use this mount in a T-top rod holder, first check to ensure the rod holder is firmly welded in place.
- 2) Unscrew the Locking Knob from the mount and set aside.
- 3) Ensure the plastic sleeve (sliding wedge) is on the mount leg with the thinner, beveled end toward the gimbal butt end.
- 4) Slide the Fixed Rod Holder Mount butt end into the rod holder. The threads on the butt end should align on either side of the rod holder pin. Ensure the threads extend through the butt of the rod holder.
- 5) Adjust the plastic sleeve of the mount so it is securely tucked into the rod holder. (This helps eliminate mount movement.)
- 6) Re-install the bottom Locking Knob until it is securely in place. There should not be any wiggle room for the mount to move.

NOTE: To install this mount in a gunnel rod holder, please read the section titled SHADEFIN GUNNEL ROD HOLDER ADAPTER T10-3000-12.

- 7) You are now ready to attach the ShadeFin to the Fixed Rod Holder Mount.
- 8) Begin by depressing the locking pin on the ShadeFin mounting post.
- 9) With the locking pin depressed, slide the mounting post into the open end of the Fixed Rod Holder Mount. The alignment pin on the mounting post will guide it into the correct position [Figure A].
- 10) Verify the locking pin pops through the locking hole on the Fixed Rod Holder Mount [Figure A].
- 11) You are now ready to open and enjoy your ShadeFin. Continue to the section titled "Operation & Deployment" on page 10.

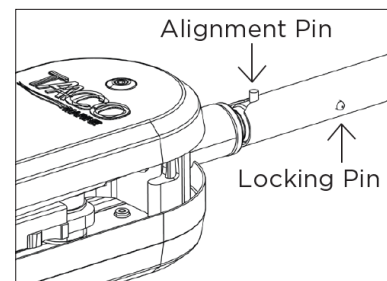
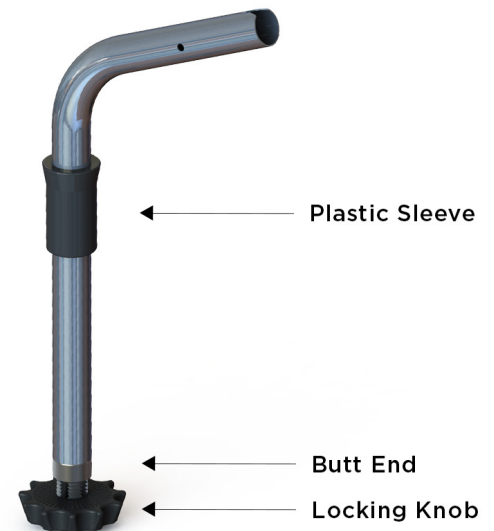


FIGURE A

TELESCOPIC ROD HOLDER ACCESSORY

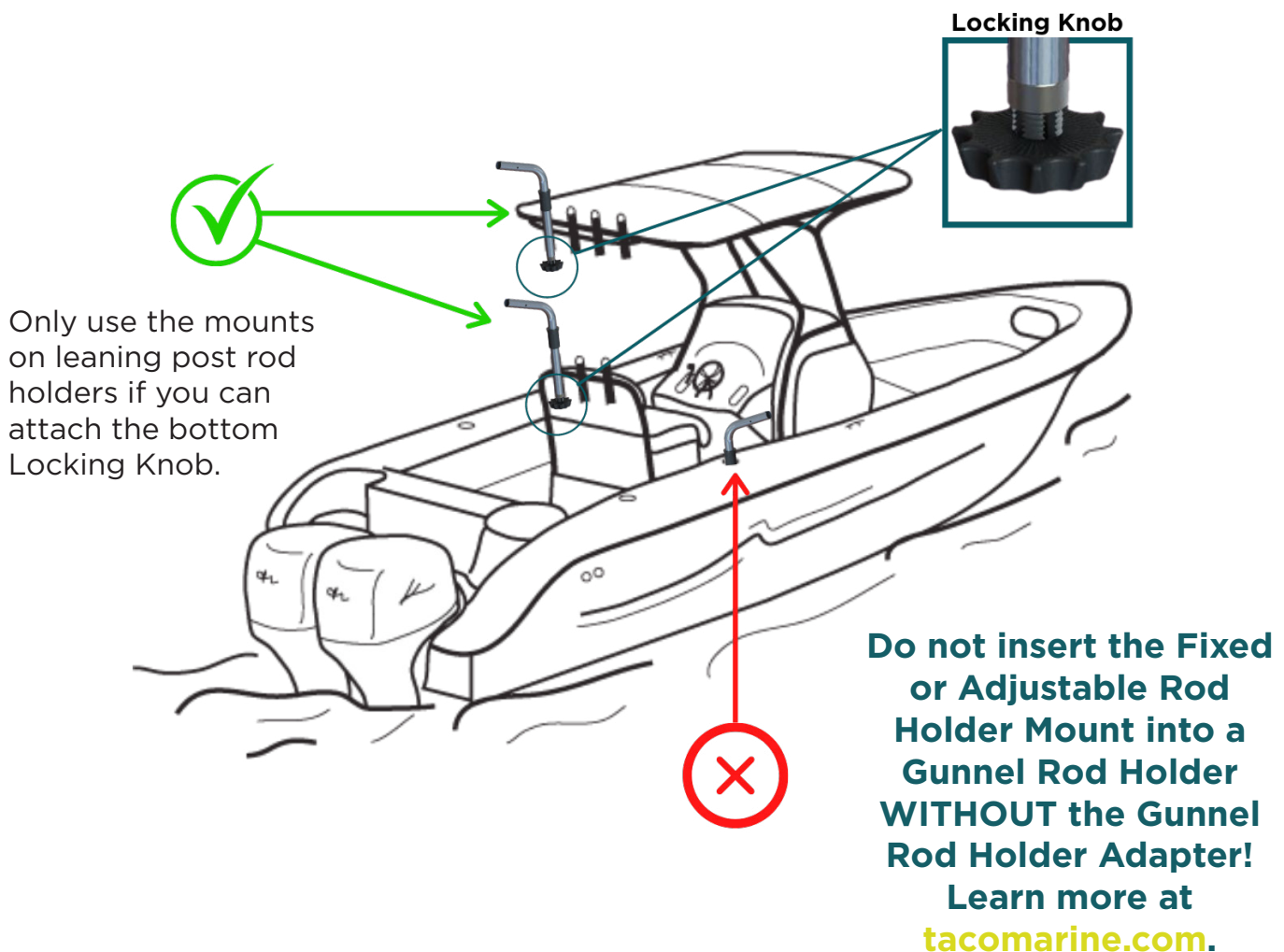
To use ShadeFin with the Telescopic Rod Holder Accessory, please follow the step-by-step instructions found with the sold-separately accessory. You can also find these instructions online at tacomarine.com.

GUNNEL ROD HOLDER ADAPTER INSTALLATION

T10-3000-12

WARNING: Do not install the ShadeFin® Fixed or Adjustable Rod Holder Mount into a gunnel rod holder without the use of the supplied Gunnel Rod Holder Adaptor. This will damage the threads and void the warranty.

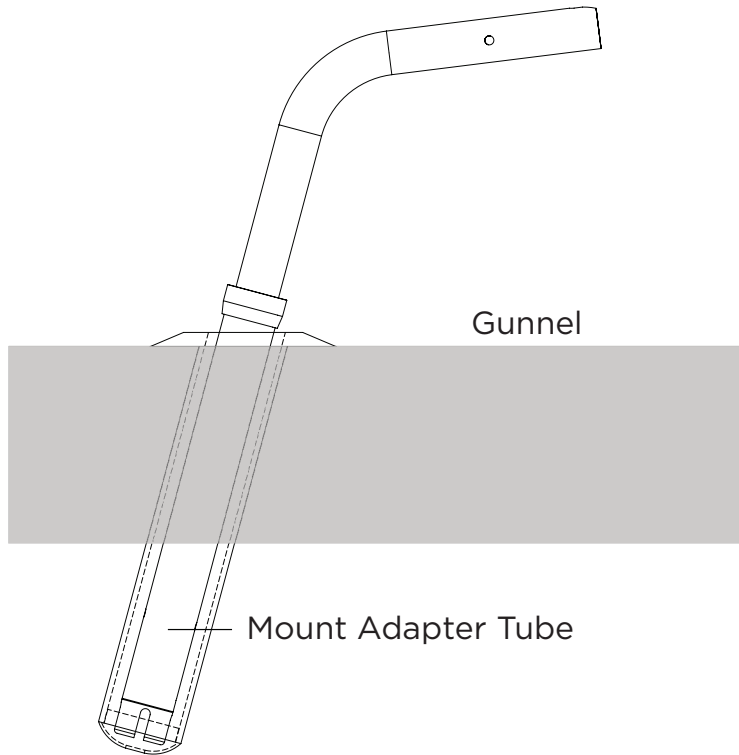
1. Install the Gunnel Rod Holder Adaptor into the gunnel rod holder. Please note: there are two possible positions based on if you want the ShadeFin® to face fore and aft or perpendicular to the gunnel.
2. Verify that the Adaptor is firmly seated in the locking pin in the base of the gunnel rod holder.
3. Slide the ShadeFin® Fixed or Adjustable Rod Holder Mount into the Adaptor and lightly twist to allow it to engage in the locking pin in the Adaptor.
4. Install the ShadeFin® into the Fixed or Adjustable Rod Holder Mount.
5. Please follow the instructions included with your ShadeFin® for proper operation and deployment.



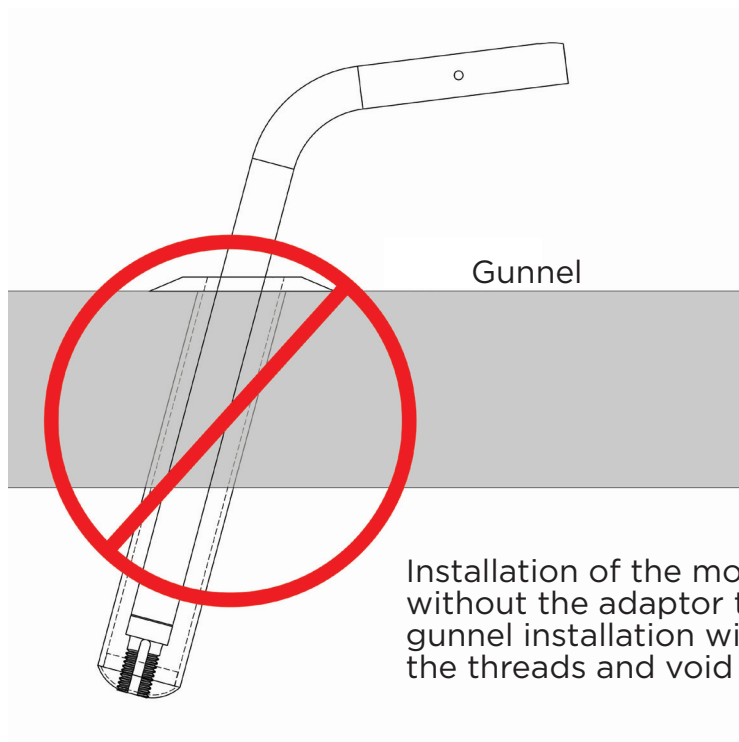
GUNNEL ROD HOLDER ADAPTER INSTALLATION CON'T

T10-3000-12

CORRECT GUNNEL ROD HOLDER INSTALLATION WITH ADAPTER

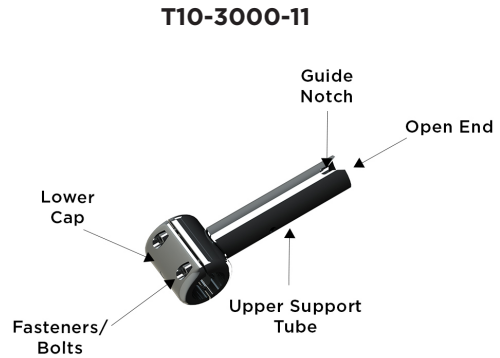
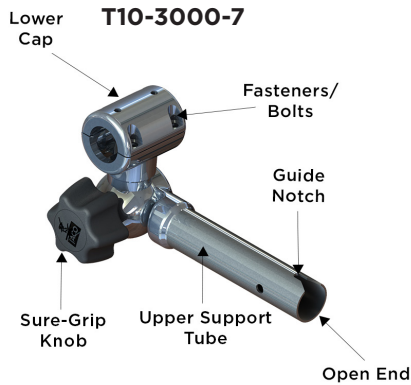


INCORRECT GUNNEL ROD HOLDER INSTALLATION WITHOUT ADAPTER



FIXED & ADJUSTABLE CLAMP-ON MOUNTS

At TACO Marine, we always encourage the use of safety glasses and gloves when working on the installation of these products.



PLEASE NOTE: These mounts are designed to fit:

- 3/4" and 1" schedule-40 pipe
- 1-1/4" Outside Diameter (OD) tube

Glossary of Terms:

- **Center Punch** - to make a small hole in something as a guide for a drill, using a tool with a conical point that is used to make indentations in metal.
- **Deburr** - to neaten and smooth the rough edges.
- **Wandering/Moving** - drill bit moving away from the desired location.

Required* *not included

- HAND DRILL
- 1/4" DRILL BIT
- LIGHT MACHINE GREASE
- LIGHT MACHINE OIL
- 3/16" ALLEN WRENCH/BIT
- TORQUE WRENCH
- PERMANENT MARKER

Follow the steps below for installing both the Fixed and Adjustable Clamp-On Mounts. For any questions or to contact our Technical Support Team, please visit tacomarine.com/technical-support.

1) **Marking the Location** - Please reference the drawings on the following pages for the Fixed and Adjustable Clamp-On Mounts.

NOTE - Before marking an installation location, ensure there are no electrical wires inside the pipe or tube.

- Unbolt the assembled mount after removing it from its package.
- Install your ShadeFin into the unit.
- Have someone help you position the lower cap mount with the ANTI-ROTATION PIN to the exact location you want the angle of the ShadeFin.
- After finding the location you want to mount the ShadeFin, mark the point of contact of the ANTI-ROTATION PIN in the lower cap (see page 8) on the T-top tube/tower pipe with a permanent marker.
- Remove both the ShadeFin and Clamp-On Mount from the T-top tube/tower pipe.

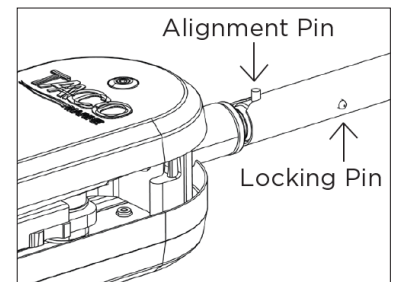


FIGURE A

FIXED & ADJUSTABLE CLAMP-ON MOUNTS

2) Drill and Prepare the Rotation/Set Pin Hole

IMPORTANT - Before drilling, ensure there are no electrical wires inside the pipe or tube.

- It is best to “center-punch” the mark prior to drilling the 1/4” hole.
- This will help keep the drill bit from “wandering/moving” when beginning to drill.
- Apply grease to the tip of a 1/4” metal drill bit.
- After center-punching the marked location, carefully and squarely drill a hole through **only one wall** of the T-top/tower piping.
- Deburr the drilled hole.
- Wipe off any excess grease and metal chips from the area and parts.

3) Install the Fixed or Adjustable Clamp-On Mount

- Remove the ShadeFin from the Clamp-On Mount prior to installing the mount onto the T-top tube/tower pipe.
- Position the ANTI-ROTATION PIN, which is fixed into the lower cap, into the drilled hole.
- Install the upper support tube (see page 8) down onto the other side of the pipe with the drain hole facing down to the deck.
- Using a light oil or grease on the threads of the fasteners, install all four and proceed to evenly hand-tighten the fasteners.

**** Do not over tighten or the aluminum threads may strip. ****

- We recommend using a torque wrench set to:
 - 3 foot-pounds (lubricated threads) or
 - 4 foot-pounds (dry threads)
- Re-check the torque of the fasteners after 24 hours, as the Clamp-On Mounts may settle into the T-top tube/tower pipe.

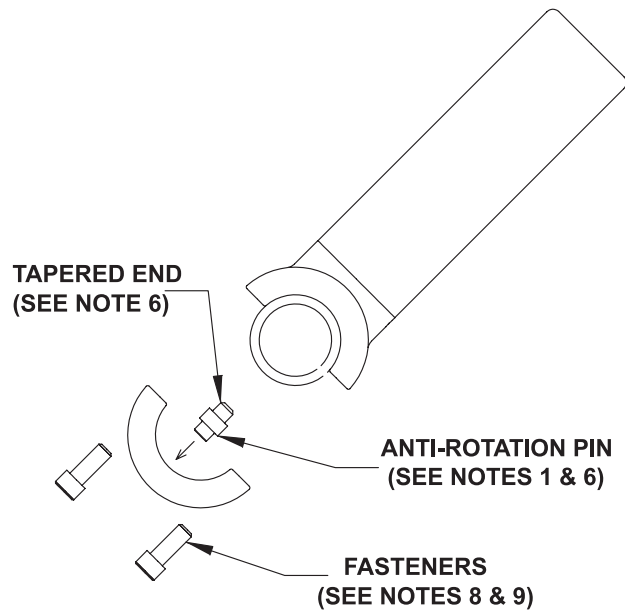
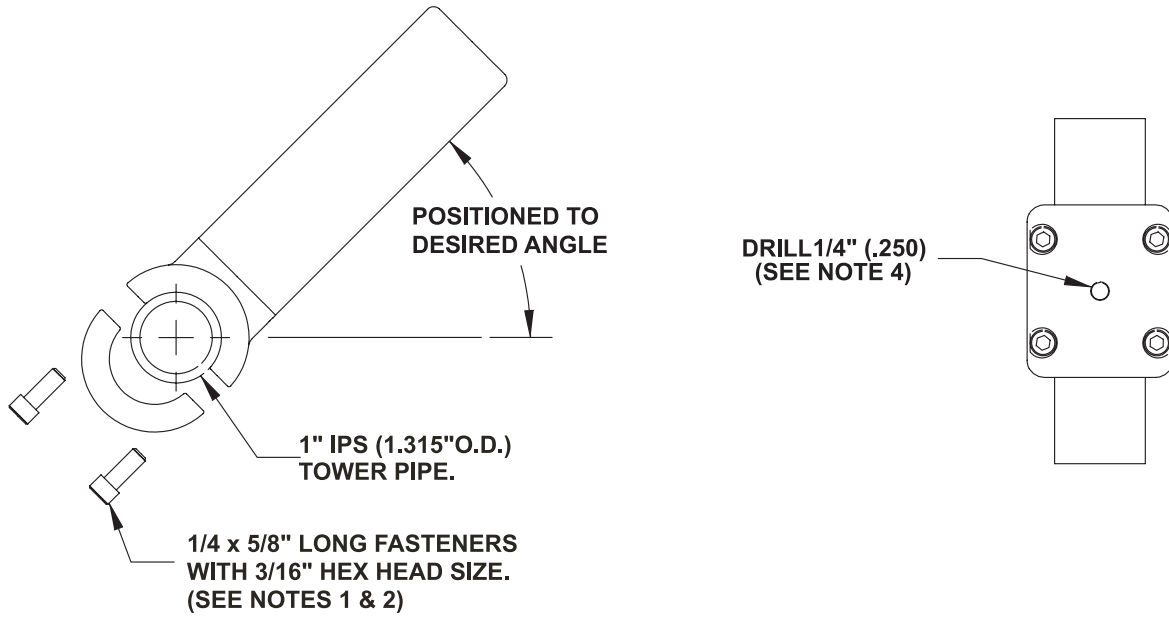
4) Attaching the ShadeFin (once the Fixed or Adjustable Clamp-On Mount is secured)

- With the locking pin depressed, slide the mounting post into the open end of the Fixed or Adjustable Clamp-On Mount. The alignment pin on the mounting post will guide it into the correct position [Figure A].
- Verify the locking pin pops through the locking hole on the Mount [Figure A].
- If you’re using the Fixed Clamp-On Mount, you are now ready to open and enjoy your ShadeFin. Continue to the section titled “Operation & Deployment” on page 9.
- If you’re using the Adjustable Clamp-On Mount, continue to step 5.

5) Setting the ShadeFin Angle with the Adjustable Clamp-On Mount

- To adjust the upward and downward angle of the ShadeFin, slowly loosen the Sure-Grip Knob on the top of the mount. Do this while maintaining one hand firmly on the long, bottom, aluminum plate of the ShadeFin.
- When the ShadeFin begins to move freely up or down, adjust it to your desired position and tighten the Sure-Grip Knob until it’s firmly in place. There should not be any wiggle room for the ShadeFin to move up and down.
- You are now ready to open and enjoy your ShadeFin. Continue to the section titled “Operation & Deployment” on page 10.

CLAMP-ON MOUNT TECHNICAL DRAWING



Tech Support:

✉ support@tacomarine.com

🌐 <https://tacomarine.com/technical-support>

ADJUSTABLE ROD HOLDER MOUNT INSTALLATION

T10-3000-6

The Adjustable Rod Holder Mount fits into any standard rod holder or into a gunnel rod holder with an adapter (T10-3000-12, included in the kit), or into the Telescopic Rod Holder Accessory (T10-3000-9, sold separately, see page 4).

- 1) To use this mount in a T-top rod holder, first check to ensure the rod holder is firmly welded in place.
- 2) Unscrew the bottom Locking Knob from the mount and set aside.
- 3) Ensure the plastic sleeve (sliding wedge) is on the mount leg with the thinner, beveled end toward the gimbal butt end.
- 4) Slide the Adjustable Rod Holder Mount butt end into the rod holder. The threads on the butt end should align on either side of the rod holder pin. Ensure the threads extend through the butt of the rod holder.
- 5) Adjust the plastic sleeve of the mount so it is securely tucked into the rod holder. (This helps eliminate mount movement.)
- 6) Re-install the bottom Locking Knob until it is securely in place. There should not be any wiggle room for the mount to move.

NOTE: To install this mount in a gunnel rod holder, please read the section titled SHADEFIN GUNNEL ROD HOLDER ADAPTER T10-3000-12.

- 7) You are now ready to attach the ShadeFin to the Adjustable Rod Holder Mount.
- 8) Begin by depressing the locking pin on the ShadeFin mounting post.
- 9) With the locking pin depressed, slide the mounting post into the open end of the Adjustable Rod Holder Mount. The alignment pin on the mounting post will guide it into the correct position [Figure A].
- 10) Verify the locking pin pops through the locking hole on the Adjustable Rod Holder Mount [Figure A].
- 11) To adjust the upward and downward angle of the ShadeFin, slowly loosen the Sure-Grip Knob on the top of the mount. Do this while maintaining one hand firmly on the long, bottom, aluminum plate of the ShadeFin.
- 12) When the ShadeFin begins to move freely up or down, adjust it to your desired position and tighten the Sure-Grip Knob until it's firmly in place. There should not be any wiggle room for the ShadeFin to move up and down.
- 13) You are now ready to open and enjoy your ShadeFin. Continue to the section titled "Operation & Deployment" on page 10.

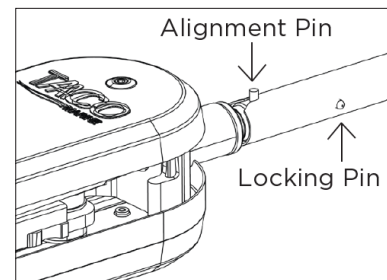
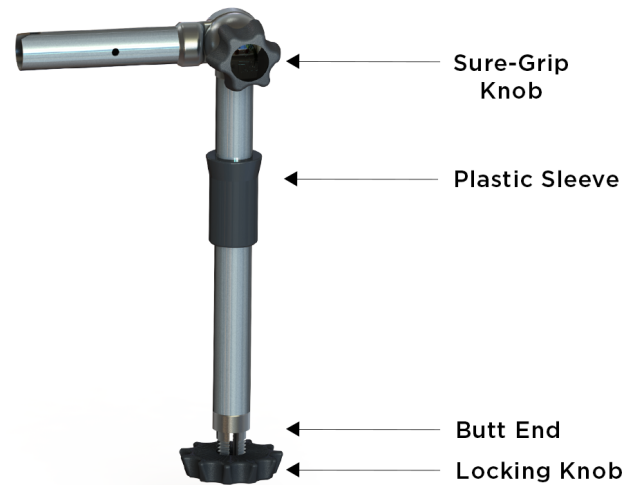


FIGURE A

GRAND SLAM 170 OUTRIGGER & GRAND SLAM 170-2 CENTER RIGGER MOUNT INSTALLATION

GS-170 & GS-170-2

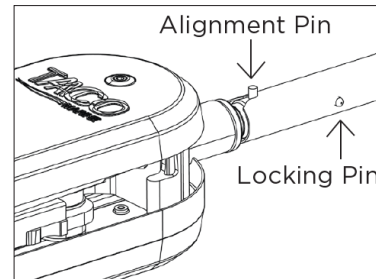
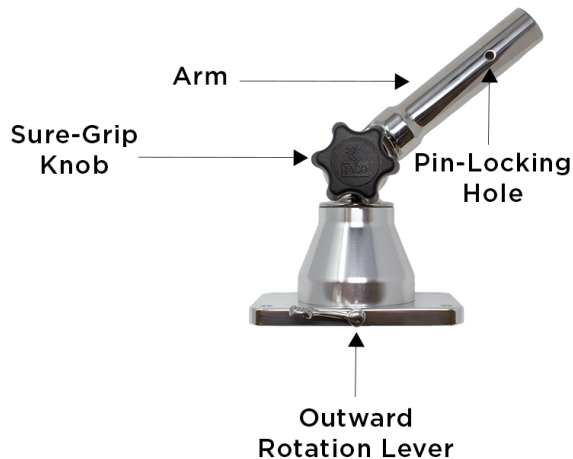


FIGURE A

- 1) If your GS-170 Outrigger or GS-170-2 Center Rigger Mounts are already installed, please skip to step 3.
- 2) If you purchased a GS-170 or GS-170-2 specifically for use with ShadeFin, please follow the installation instructions included with these products. You can also find the GS-170 and GS-170-2 installation instructions online at tacomarine.com.
- 3) The GS-170 and GS-170-2 are designed to accept poles that are 1-1/8" in diameter. The ShadeFin mounting post is also 1-1/8" in diameter and has the same TACO pin-locking technology as 1-1/8" diameter poles, which means it's possible to use it with either of these mounts.

Note - It may be necessary to remove the alignment pin from the ShadeFin in order to allow the fit.

- 4) On both the GS-170 and GS-170-2, the arm of the mounts has a hole where the ShadeFin's mounting post locking pin will lock into place. Simply slide the mounting post of the ShadeFin into the GS-170 or GS-170-2 arm and ensure the pin pops out of the hole, which locks it in place.

Note - the GS-170 and GS-170-2 do not have the alignment notch found on the other mounts listed above to steer the pop-out pin automatically.

- 5) Use the Sure-Grip Knob on the side of the mount to adjust the height of the ShadeFin. On the GS-170 Outrigger Mount, you can also use the outward rotation lever to change the horizontal direction of the ShadeFin.
- 6) Ensure the lifting knob and rotation lever are secure. There should not be any wiggle room for the ShadeFin to move.
- 7) You are now ready to open and enjoy your ShadeFin. Continue to the section titled "Operation & Deployment" on page 10.

OPERATION & DEPLOYMENT

Once ShadeFin is securely attached to its mount, follow these instructions for setup.

- 1) To set up your ShadeFin, pull down on one of the front arm release buttons inside the body while simultaneously pulling out the front arm on the same side (Figure B). Do not pull the arm to its fully locked position yet. Repeat this process on the other side of the ShadeFin.
- 2) Once both of the front release buttons have been pulled and the front arms released, pull the shade fabric that is tucked along the sides of the body out loosely. It is normal for the fabric to hang loose at this step.
- 3) Moving to the back of the ShadeFin, grip the ends of the back arms and pull them straight out to their stopping point in the housing (Figure D).

NOTE: Ensure arms are fully extended before spreading open.

- 4) Spread the back arms open. Make sure the arms stay fully extended.
- 5) When the back arms are fully open, the root of the arms will straddle the vertical support posts (Figure C).
- 6) Return to the front of the ShadeFin.
- 7) One at a time, pull on either front arm to spread it outboard to its fully locked position. Both of the front arms should lock into place. It is normal to apply some pressure to lock the arms. You will hear and feel a small “click” when the arm engages into the locked position.
- 8) Enjoy your ShadeFin!

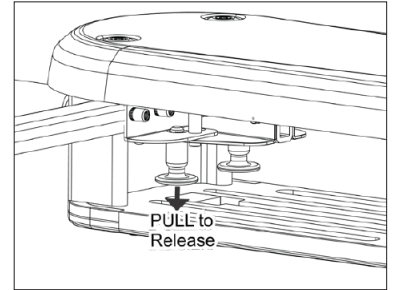


FIGURE B

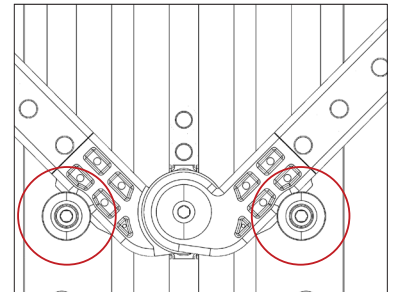


FIGURE C

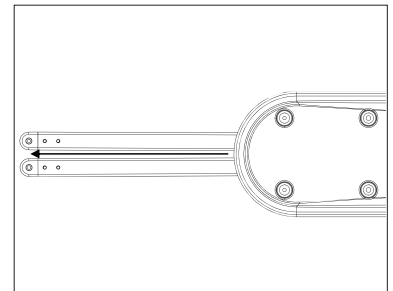


FIGURE D

Tech Support:

✉ support@tacmarine.com

🌐 <https://tacmarine.com/technical-support>

REPLACING THE FABRIC

- 1) Place the ShadeFin on a wide, flat surface/table with the aluminum base facing down.
- 2) Using a 5/32" Allen wrench, completely loosen the four bolts and mating washers from the top of the molded, plastic cover. This allows the cover to be removed from the ShadeFin body.
- 3) Place the cover, bolts and washers carefully to the side.
- 4) Note the orientation of the fabric (Figure E).
- 5) To loosen the fabric from the front arms, hold the round ferule on the bottom side of the ends of the front arms. You should be able to use your thumb and forefinger to hold it tight enough.
- 6) Remove the Allen head screws using a 9/64" Allen wrench to release it from the ferule (Figure F).
- 7) To loosen the fabric from the rear arms, hold the round ferule on the top side of the ends of the rear arms. You should be able to use your thumb and forefinger to hold it tight enough.
- 8) Remove the Allen head screws using a 9/64" Allen wrench to release it from the ferule (Figure F).
- 9) Gently slide the fabric channels through and off the front arms.
- 10) Remove the fabric's reinforcement strip and two stainless steel grommets from the mounting posts at the rear of the unit.
- 11) Reverse the process when installing the new fabric, ensuring the fabric arm channels and reinforcement strip are facing up.
- 12) Slide the fabric channels over the front arms until the arms are completely through the channels.
- 13) Slip the stainless steel grommets in the reinforcement strip over the two plastic cover posts that were removed in step 1.
- 14) Reinstall the front arm bolts and ferules using the 9/64" Allen wrench. These ferules go through the fabric's stainless steel grommets from underneath. The bolts are secured from the top.
- 15) Reinstall the rear arm bolts and ferules using the 9/64" Allen wrench. These ferules go through the fabric's stainless steel grommets from the top. The bolts are secured from the bottom.
- 16) Reinstall the cover by aligning the holes with the mounting holes on the ShadeFin.
- 17) Place the washers in the molded top where the bolts enter.
- 18) Install and tighten the cover bolts with the 5/32" Allen wrench. Take care not to over-torque the bolts.

Required* *not included

- 5/32" ALLEN WRENCH
- 9/64" ALLEN WRENCH

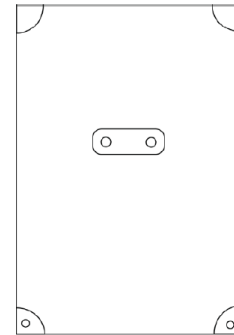


FIGURE E

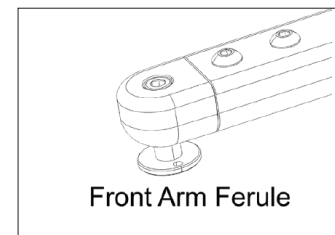


FIGURE F

CLEANING & FABRIC CARE

FRAME CLEANING

Clean using only fresh water.

FABRIC CARE

- 1) Brush off loose dirt.
- 2) Hose down with fresh water.
- 3) Prepare a cleaning solution of water and mild soap.
- 4) Use a soft bristle brush to clean.
- 5) Rinse thoroughly until all soap residue is removed.
- 6) Air dry.



FABRIC TECHNICAL INFORMATION

ShadeFin's fabric is a super high-strength and durable material with long-term color retention to deliver a truly versatile outdoor fabric for a variety of applications. It is the industry's most balanced and cost-effective fabric available for marine covers and tops, awnings or other outdoor applications that require outstanding durability, higher water repellency and excellent breathability. For more information on the ShadeFin fabric, visit the Product Knowledge section on our website [tacomarine.com](https://www.tacomarine.com).

- ▶ Weight - ASTM D3776 (oz/yd): 7.2oz
- ▶ Width - Selvedge Edge (in): 61-62
- ▶ Tensile Strength - ASTM D5034 (lbs): WxF 225 x 290
- ▶ Stretch (percent) - WxF 12 x 20
- ▶ Spray Rating - AATCC 22 (scale): 100
- ▶ Hydrostatic Test - AATCC 127 (in): 15
- ▶ Colorfastness to Light - AATCC 169 (grade 1- 5, 500 accelerated hours): 4-5
- ▶ Made of 100% SaturaMax for ultra-high UV resistance

STOWAGE

SHADEFIN®

- 1) While applying a slight forward pressure to the front arms, pull down on the locking buttons and allow the front arms to unlock and swing freely (Figure B).
- 2) Fold the front two arms together while lifting the fabric up between them.
- 3) Slide the back arms forward in the slide track (Figure G).
- 4) Carefully tuck the fabric into the side and front of the body.
- 5) Push the front arms into the body until they latch. (The arms will help hold the fabric in place.)
- 6) Slide the storage bag over the unit.
- 7) Depress the mounting post locking pin and retract the ShadeFin from its mount.
- 8) Extend the bag to cover the mounting post and slide the zipper closed.
- 9) Stow ShadeFin in your desired location onboard or off the boat.

NOTE: Manufacturer recommends the ShadeFin and fabric are rinsed with freshwater and dried prior to packing in carry bag.

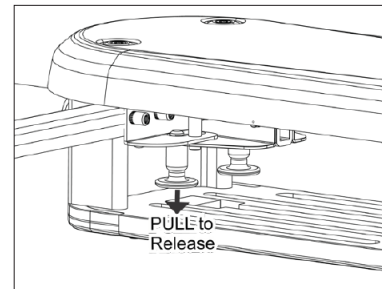


FIGURE B

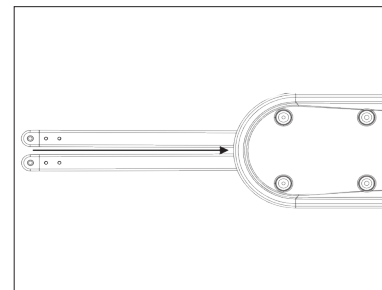


FIGURE G

MOUNTS

- For either the **Fixed** or **Adjustable Rod Holder Mount**, these can remain in any T-top rod holder as long as the bottom Locking Knob is secure. To remove, easily unscrew the Locking Knob, remove the mount from the rod holder, re-install on the Locking Knob to the mount so it does not get lost, and stow the mount accordingly.
- For either the **Fixed** or **Adjustable Clamp-On Mount**, we recommend these remain in place once attached to the T-top tower/tube pipe. **Please be cautious of the arm of the Clamp-On Mount when the ShadeFin is not in use.** If these mount arms pose any risk to boaters when the ShadeFin is not in use, please remove and stow following the steps below:
 - Unscrew the four fasteners and remove.
 - Remove the upper support tube.
 - Remove the anti-rotation pin.
 - Remove the lower cap.
 - Bundle all components together and stow.
- For the **GS-170** and **GS-170-2** mounts, these are permanently installed to boat tops and we do not recommend removal when the ShadeFin is not in use.

For any questions on stowing your ShadeFin or ShadeFin Mounts, please contact our Technical Support team at [tacomarine.com/technical-support](https://www.tacomarine.com/technical-support).

WARNING



WARNING

IMPROPER USE CAN CAUSE SERIOUS INJURY OR DEATH







REMOVE AND STOW SHADEFIN WHILE BOAT IS UNDERWAY.

LOCK ALL MOUNTS AND PINS BEFORE DEPLOYING SHADEFIN.

MOVING PARTS CAN PRODUCE PINCH POINTS.
KEEP HANDS CLEAR!



Like, subscribe and follow us on YouTube, Facebook, Instagram and Twitter, where we post regular boating content and engaging how-to videos.

   @tacomarine
 @taco_marine
#ShadowInSeconds